

# QPA-110000-150000-18-15S

## 110~150GHz, 18dB, 15dBm

**Features:**

- \* Small Size
- \* Low Power Consumption

**Applications:**

- \* Wireless
- \* Transmitter
- \* Laboratory Test

**Electrical**

Frequency:	110~150GHz
Small Singal Gain:	18dB typ.
Output Power (Psat):	15dBm typ.
Input VSWR:	3 typ.
Output VSWR:	2.5 typ.
Voltage:	+7V DC (+6V min., +10V max.)
Current:	220mA typ.
Input Power:	11dBm max.

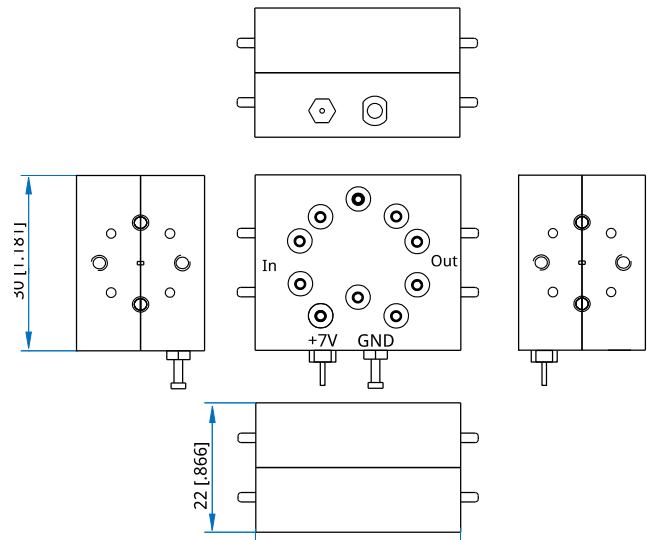
**Mechanical**

Size*1:	35*30*22mm 1.378*1.181*0.866in
RF Interface:	WR-6
Power Supply Connectors:	Feed Through/Terminal Post

[1] Exclude connectors.

**Environmental**

Operating Temperature:	10~+40°C
Non-operating Temperature:	0~+50°C

**Outline Drawings**


Unit: mm [in]

Tolerance:  $\pm 0.1$  mm [ $\pm 0.004$  in]

**How To Order**

**QPA-110000-150000-18-15S**

Customization is available upon request.